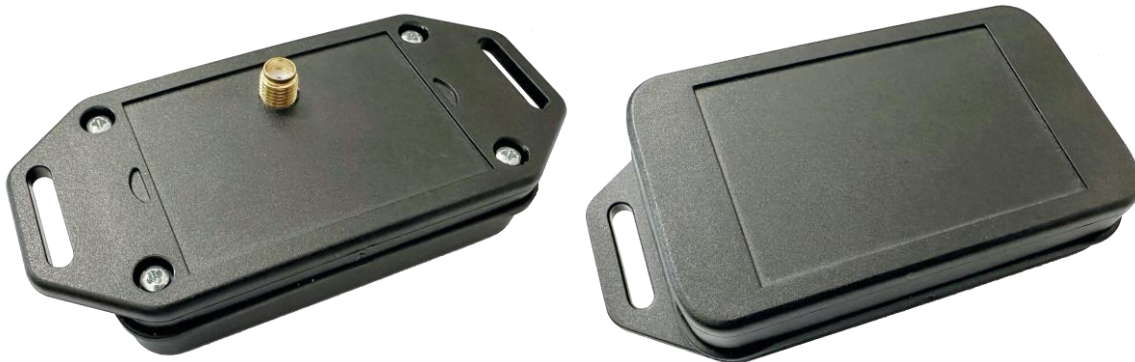


ANTENNA 2G4

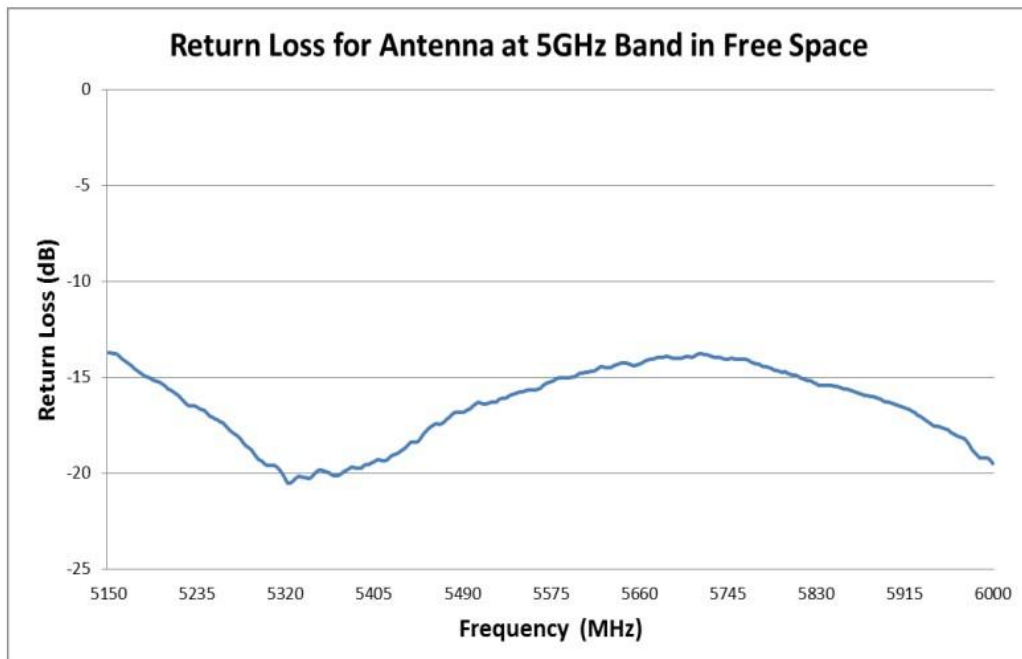
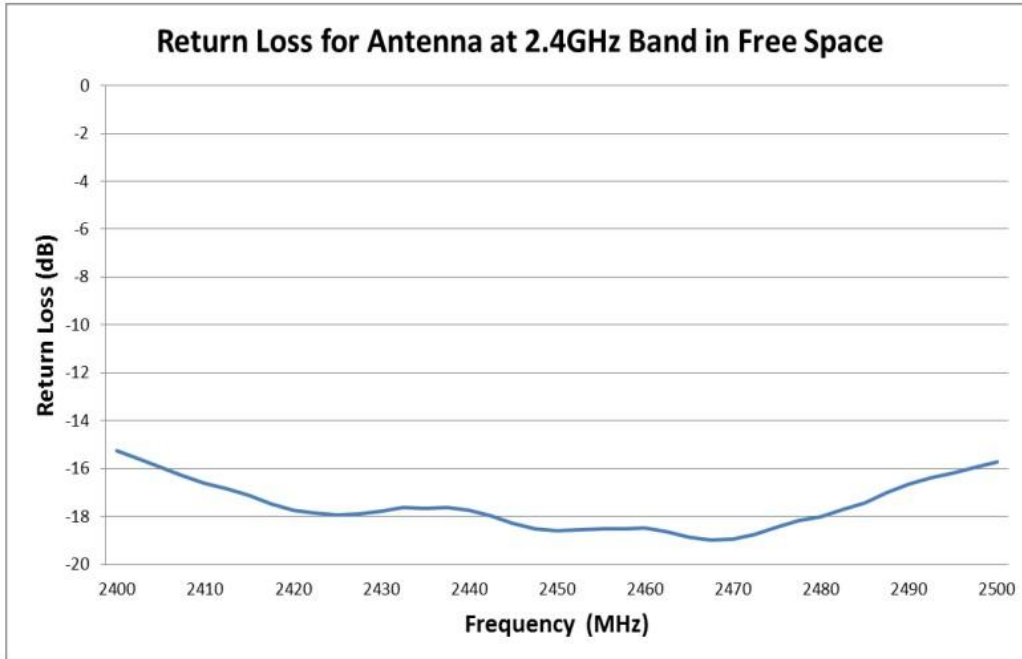
Balanced dipole antenna 2.4/5GHz for ISM, WiFi, Bluetooth applications. Highly resistant ABS plastic antenna, suitable for industrial applications that may be exposed to mechanical damage. A female SMA connector is available for connection to coaxial cable with 50Ω impedance. The antenna can be installed on the panel using 2 screws.

It includes 2 different coaxial cables to connect most standard devices.



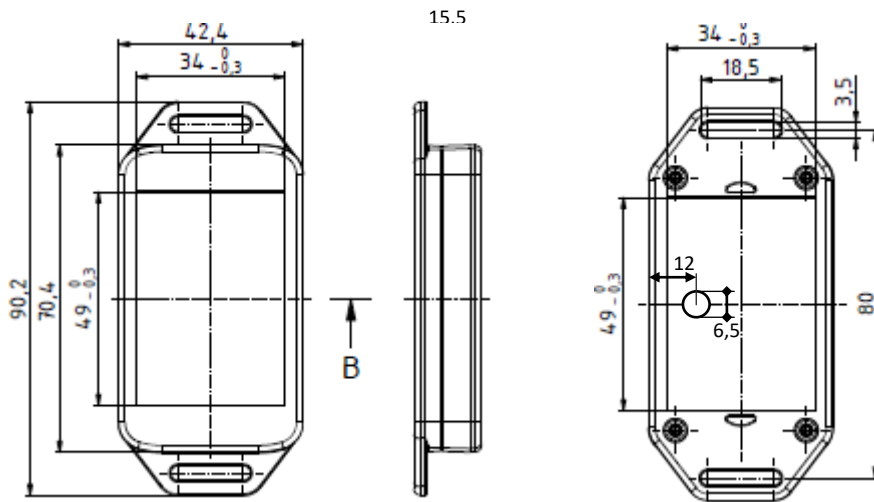
Technical features

	Min	Typical	Max	Unit	Annotations
Working frequency centre band 1		2.45		GHz	
Working frequency centre band 2		5		GHz	
Impedance		50		Ω	
V.S.W.R @ 2,4GHz		-17		dB	
Gain @ 2.4GHz		3		dBi	
V.S.W.R @ 5GHz		-20		dB	
Gain @ 5GHz		4		dBi	
Power			2	W	
Antenna connector	SMA male				
Connection side device	SMA female				
Antenna Body material	TPE / ABS				
Color	Black				
Temperature range	-20		70	°C	
Dimension antenna	90 x 43 x 22			mm	



Note: antenna in open space

Mechanical dimension



Accessory material



The antenna includes 2 different coaxial cables to connect most standard devices:

- 1) 75cm coaxial cable type RG316 terminated SMA male to SMA male
- 2) 50cm coaxial cable terminated SMA male to IPEX, suitable for Aurel module

Code for order	Product name	Description
650201625G	ANTENNA 2G4 (E1)	Antenna 2,4-5,8GHz for outdoor and industrial application

Release date	Revision user manual	Changements from previous revision
15/01/2025	1.0	First release